

GP13TB COMPRESSOR

TECHNICAL SPECIFICATION

(220--240V~50Hz)

CHANGHONG HUA-YI COMPRESSOR CO., LTD.

2018. 10

INDEX

	page
1、 Compressor Type.....	2
2、 Performance Data.....	2
3、 Running Condition.....	2
4、 Compressor Mechanical Information.....	3
5、 Compressor Shape.....	3
6、 Wiring Diagram.....	4
7、 Fixing of mounting bracket and cabinet base.....	4
8、 Assembly of starter and protector.....	5
9、 Delivery State.....	6
10、 Package、 Storage and Transportation.....	6
11、 Technical Items.....	7

1. Compressor Type

Compressor model	GP13TB
Rated voltage/frequency	220--240V~50Hz
Refrigerant	R134a
Application	High back pressure (HBP)
Cooling method	Fan Cooling
Control device	Capillary tube
Motor type	CSIR
Capacitor	60 μ F/61 μ F

2. Performance Data

Displ.(cm ³)	Capacity(W)	Inp.Pow.(W)	Rated Current(A)	COP (W/W)
13.1	1160	527	3.3	2.20

Testing condition:

Test conditions	HBP
Evaporating Temp.	7.2°C
Ambient Temp.	35°C
Condensing Temp.	54.4°C
Suction Temp.	35°C
Subcooling Temp.	46.1°C

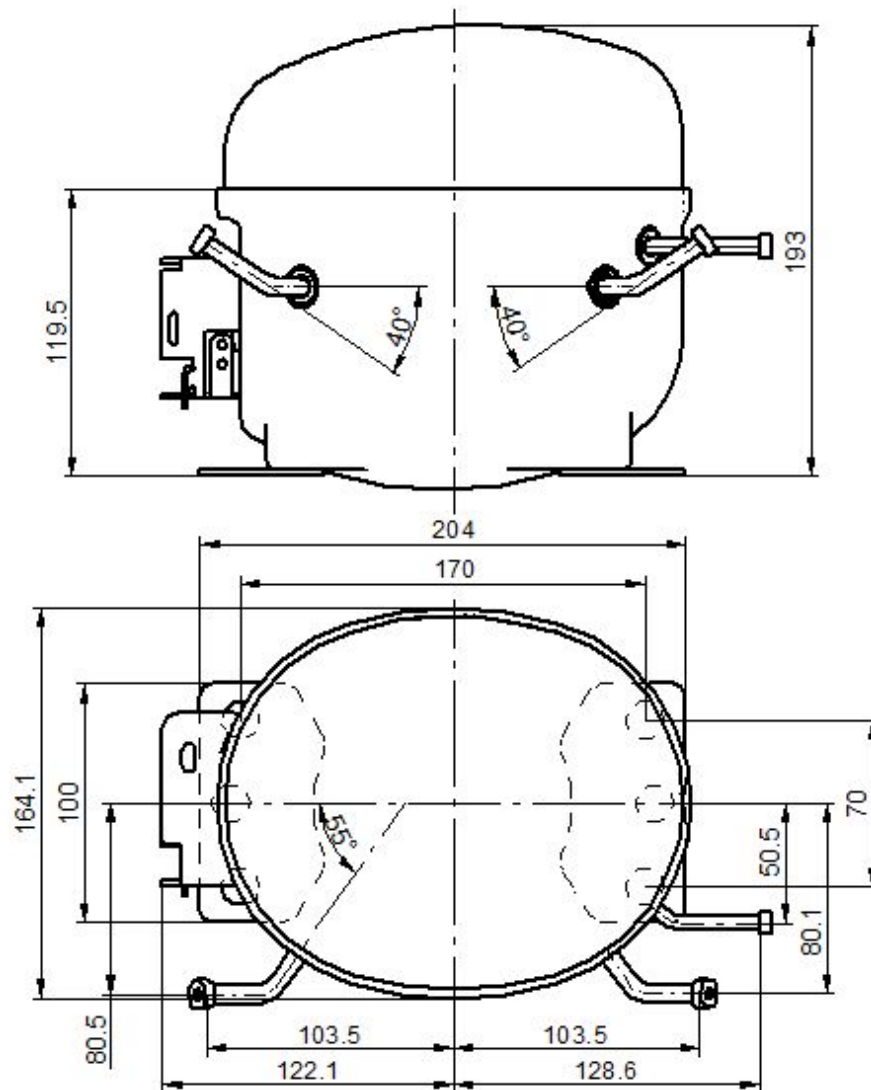
3. Running Condition

Ambient temp.	10~43°C
Evaporating temp.	-5~+15°C
Voltage range	187~254V
Max. condensing temp.	65°C
Max. winding temp.	130°C
Max. shell temp.	95°C
Max. discharge temp.	125°C

4. Compressor Mechanical Information

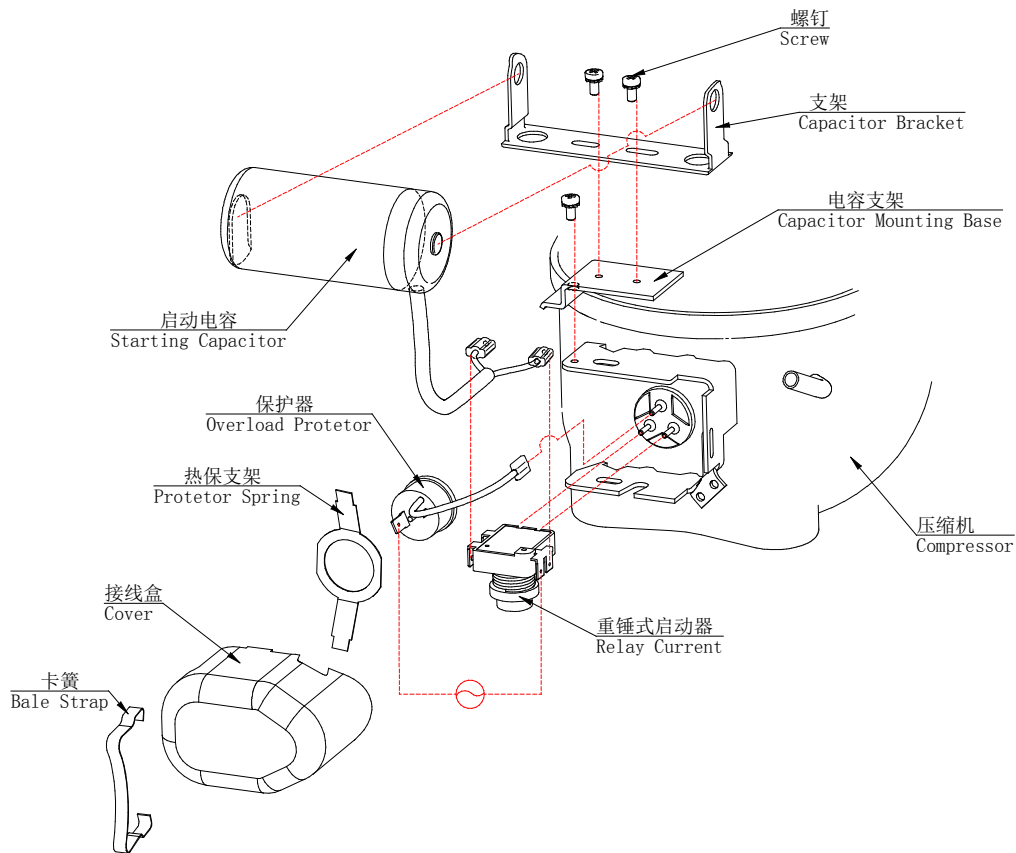
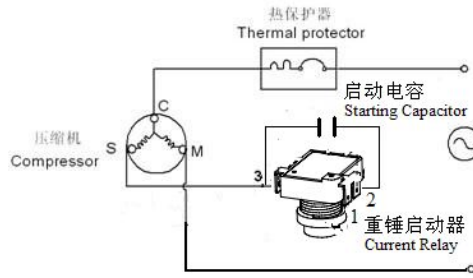
Oil type	POE
Oil charged	330 ± 10ml
Diameter of suction tube (I.D.)	Φ6.1 ^{+0.1} ₀ mm
Diameter of discharge tube(I.D.)	Φ5.1 ^{+0.1} ₀ mm
Diameter of process tube (I.D.)	Φ6.1 ^{+0.1} ₀ mm
Material of suction tube, process tube and discharge tube	copper tube
Compressor noise	≤58 dB(A)
Vibration	≤1.5 m/s ²

5. Compressor Shape



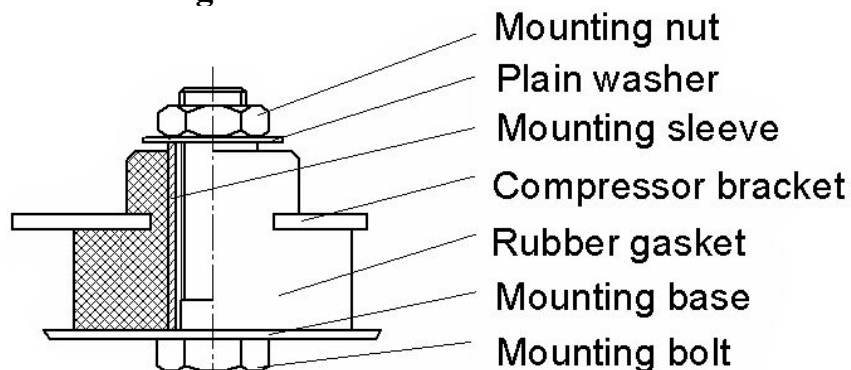
6. Wiring Diagram

CSIR:



Note: Each of the starting relay, the thermal protector, the spring tap, the terminal cover and the screw assembly is separately provided by our company.

7. Fixing Of Mounting Bracket and Cabinet Base



8. Assembly of starter and protector

8.1 Starting relay

Model: QL2-9.5 B3

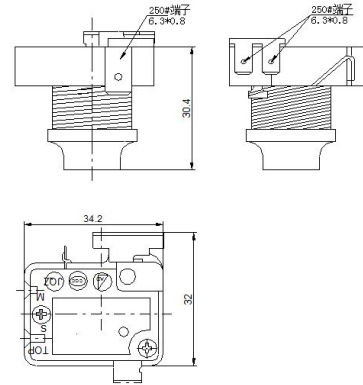
Type: Starting relay

Attracting current: $\leq 9.5A$

Release current: $\geq 8.1A$

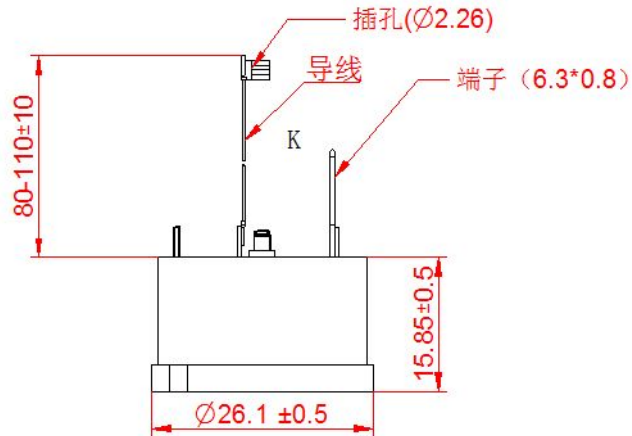
8.2 Thermal protector

Model: B130-135/B



Compressor model		GP13TB
Thermal Protector	Max.T.C Amp.(25°C) A	13.0
	Trip time S	6~14
	Reset time S	15~150
	Open temp. $\pm 5^{\circ}C$	135
	Close temp. $\pm 9^{\circ}C$	61
	Min. T.C. Amp.(70°C) A	4.6~5.5

Flammability: Anti-flammability



9. Delivery State

No.	Name	Model	Quantity	CODE
1.	Compressor	GP13TB	1 pcs	
2.	<i>MOUNTING ACCESSORIES</i>			
2.1.	Rubber Gasket		4 pcs	E.24.12.201
2.2.	Plain Washer	φ 6	4 pcs	CTE983-2
2.3.	Mounting Sleeve		4 pcs	CTE943-2
2.4.	Mounting Bolt	M6 × 30	4 pcs	GB5781-86
2.5	Mounting Nut	M6	4 pcs	GB6170-86
	<i>ELECTRICAL ACCESSORIES</i>			
3.1.	Starting Relay	QL2-9.5 B3	1 pcs	
3.2	Thermal Protector	B130-135/B	1 pcs	
3.3	Starting Capacitor	60 μ F/61 μ F	1 pcs	CD60/MS-C-1
3.4	Terminal Cover		1 pcs	CTE982-11
3.5	Bale Strap		1 pcs	CTE982-11A
3.6	Protetor Spring		1 pcs	CTE982-2-4B
3.7	Capacitor Mounting Base		1 pcs	E. 24. 08. 400
3.8	Capacitor Bracket		1 pcs	Y. 24. 14. 601
3.9	Screw Assembly		1 pcs	E. 14. 24. 201

Notes:1.All electrical parts and equipment assembly are supplied separately, not installed on the compressor.

2.All electrical parts and equipment assembly according to Delivery states are all provided by our company.

