

GP11TB COMPRESSOR
TECHNICAL SPECIFICATION
(220--240V~50Hz)

CHANGHONG HUA-YI COMPRESSOR CO., LTD.

2018. 10

1. Compressor Type

Compressor model	GP11TB
Rated voltage/frequency	220~240V~50Hz
Refrigerant	R134a
Application	High back pressure (HBP)
Cooling method	Fan Cooling
Control device	Capillary tube
Motor type	CSIR
Capacitor	60 μ F/61 μ F

2. Performance Data

Displ.(cm ³)	Capacity(W)	Inp.Pow.(W)	Rated Current(A)	COP (W/W)
11.3	1000	455	2.8	2.20

Testing condition:

Test conditions	HBP
Evaporating Temp.	7.2°C
Ambient Temp.	35°C
Condensing Temp.	54.4°C
Suction Temp.	35°C
Subcooling Temp.	46.1°C

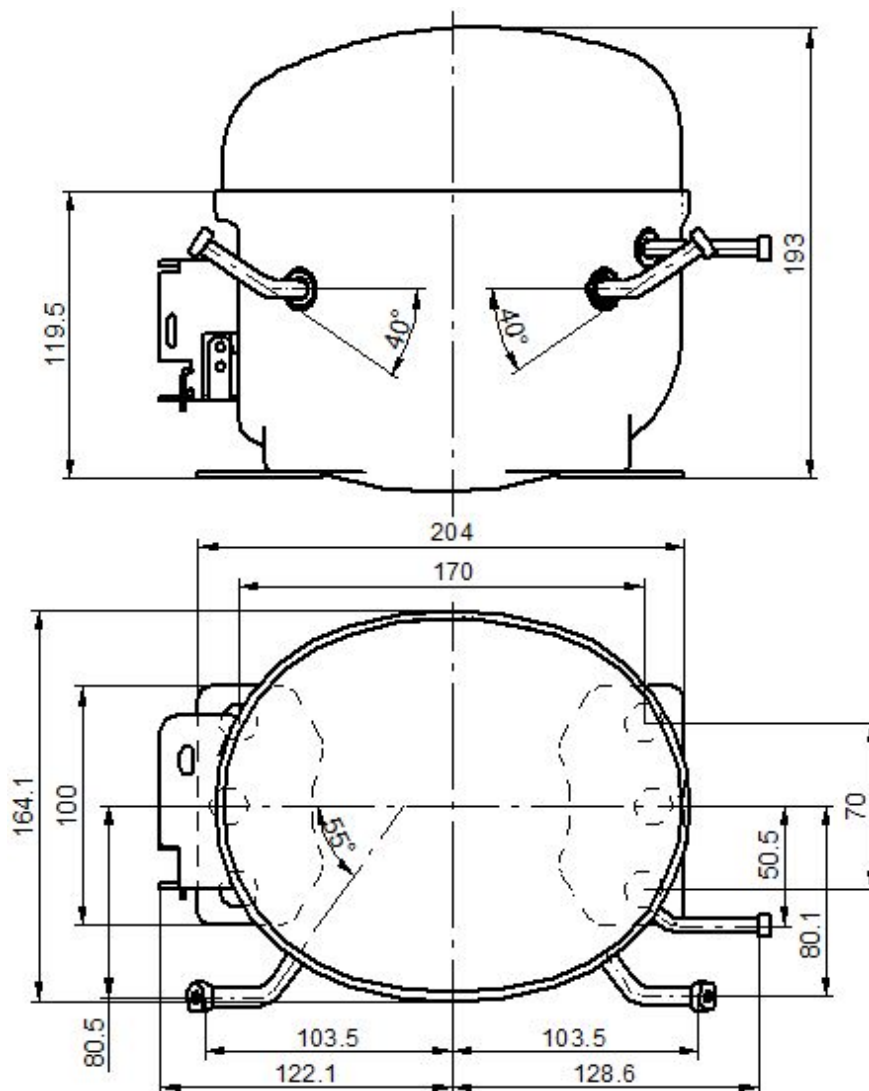
3. Running Condition

Ambient temp.	10~43°C
Evaporating temp.	-5~+15°C
Voltage range	187~254V
Max. condensing temp.	65°C
Max. winding temp.	130°C
Max. shell temp.	95°C
Max. discharge temp.	125°C

4. Compressor Mechanical Information

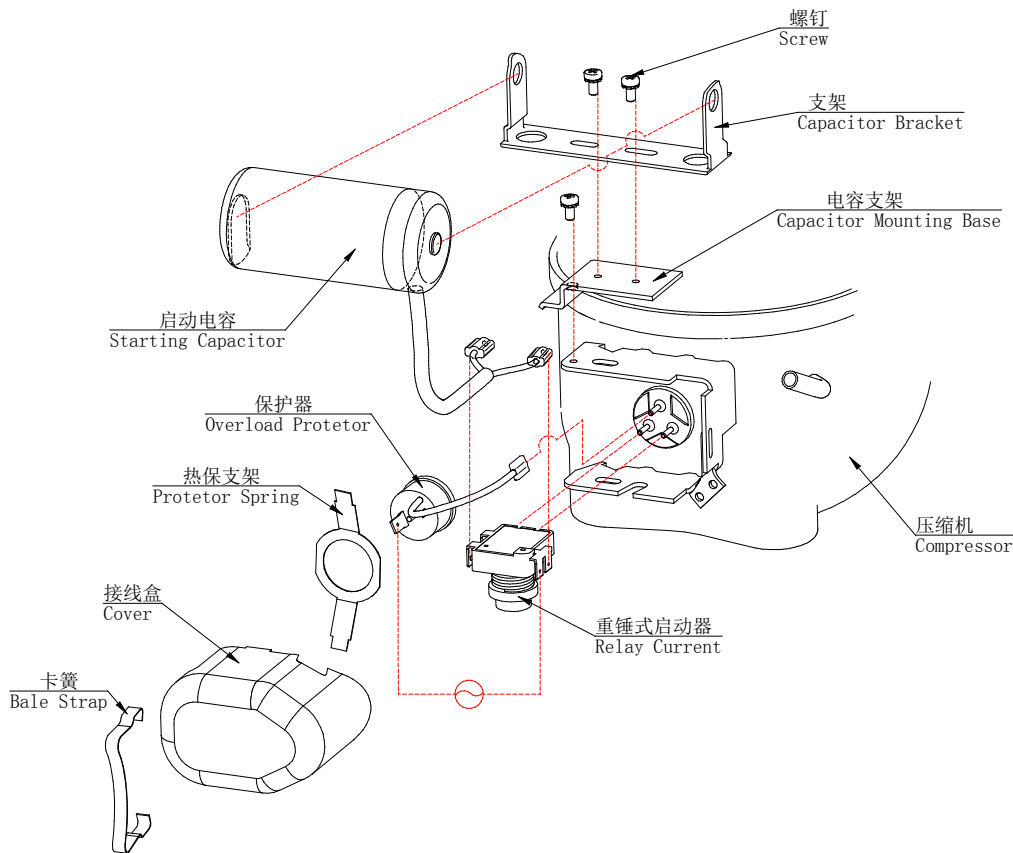
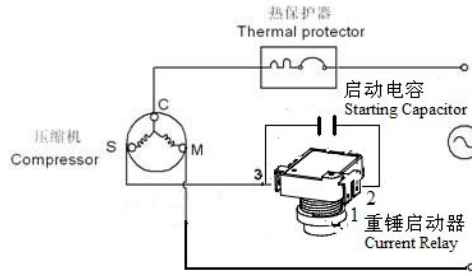
Oil type	POE
Oil charged	300 ± 10ml
Diameter of suction tube (I.D.)	Φ6.1 ^{+0.1} ₀ mm
Diameter of discharge tube(I.D.)	Φ4.9 ^{+0.1} ₀ mm
Diameter of process tube (I.D.)	Φ6.1 ^{+0.1} ₀ mm
Material of suction tube, process tube and discharge tube	copper tube
Compressor noise	≤58 dB(A)
Vibration	≤1.5 m/s ²

5. Compressor Shape



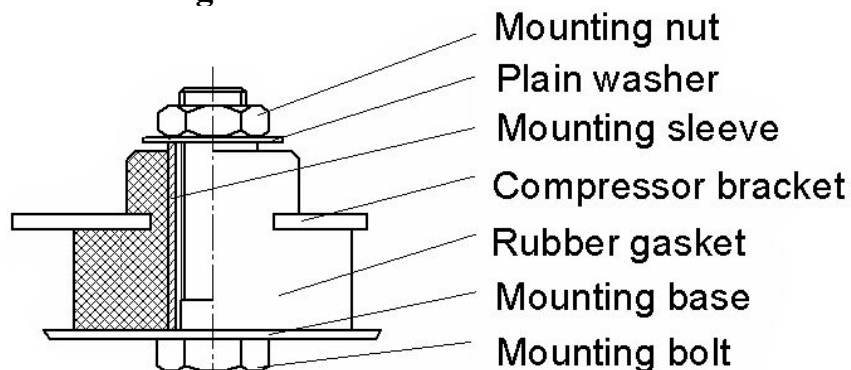
6. Wiring Diagram

CSIR:



Note: Each of the starting relay, the thermal protector, the spring tap, the terminal cover and the screw assembly is separately provided by our company.

7. Fixing Of Mounting Bracket and Cabinet Base



8. Assembly of starter and protector

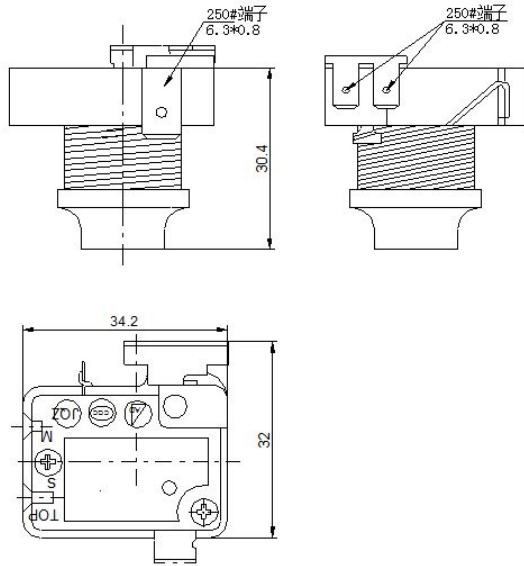
8.1 Starting relay

Model: QL2-9.5 B3

Type: Starting relay

Attracting current: $\leq 9.5A$

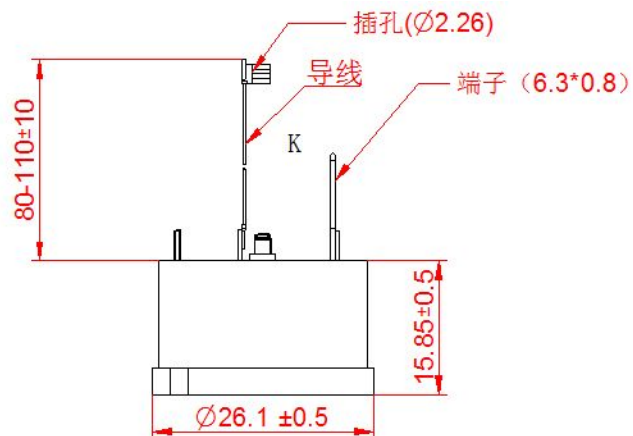
Release current: $\geq 8.1A$



8.2 Thermal protector

Model: B120-135/B

Compressor model		GP11TB
Thermal Protector	Max. T.C Amp.(25°C) A	12.0
	Trip time S	6~14
	Reset time S	15~150
	Open temp. $\pm 5^{\circ}C$	135
	Close temp. $\pm 9^{\circ}C$	61
	Min. T.C. Amp.(70°C) A	3.8~4.9



9. Delivery State

No.	Name	Model	Quantity	CODE
1.	Compressor	GP11TB	1 pcs	
2.	<i>MOUNTING ACCESSORIES</i>			
2.1.	Rubber Gasket		4 pcs	E.24.12.201
2.2.	Plain Washer		4 pcs	CTE983-2
2.3.	Mounting Sleeve		4 pcs	CTE943-2
2.4.	Mounting Bolt	M6×30	4 pcs	GB5781-86
2.5.	Mounting Nut	M6	4 pcs	GB6170-86
2.6.	H type Self tapping screw	ST4.2×13-C-H (GB846-85)	3 pcs	
3.	<i>ELECTRICAL ACCESSORIES</i>			
3.1.	Starting Relay	QL2-9.5 B3	1 pcs	
3.2.	Thermal Protector	B120-135/B	1 pcs	
3.3.	Starting Capacitor	60 μ F/61 μ F	1 pcs	CD60/MS-1
3.4.	Terminal Cover		1 pcs	CTE982-11
3.5.	Bale Strap		1 pcs	CTE982-11A
3.6.	Protetor Spring		1 pcs	CTE982-2-4B
3.7.	Capacitor Mounting Base		1 pcs	E. 24. 08. 400
3.8.	Capacitor Bracket		1 pcs	Y. 24. 14. 601
3.9.	Screw Assembly		1 pcs	E. 14. 24. 201

Notes: 1. All electrical parts and equipment assembly are supplied separately, not installed on the compressor.

2. All electrical parts and equipment assembly according to Delivery states are all provided by our company.

10. Technical Items

1. After pulling off rubber plugs from the compressor tubes, please connect the compressor to the refrigeration system within 5 minutes. It is advisable to take off the first plug from process tube. No dust or humidity in the air is permitted to enter the compressor.
2. Earth connection should be fixed permanently and reliably.
3. The compressor must be mounted horizontally without tilting an angle more than 5°.
4. Maximum operating ambient temperature is at 43°C.
5. When the compressor starts, balance pressure inside refrigeration system must be less than 0.7Mpa (Absolute).
6. The compressor must not be restarted unless at an interval of more than 5 minutes.
7. Please keep the compressor always vertically and never upset it during transportation while avoiding any vibration and shock.
8. Please store the compressor in a dry and ventilated place and keep it away from any humidity.
9. Please follow the transportation warning marks on the package for layer limitation. Do not roll the whole packages when loading or unloading.
10. Storage expiry is 6 months from the date of production. If it expired, please check the nitrogen pressure inside compressor and recharge it when it is necessary.